

**Applications**

- CATV
- Telecommunications
- LAN,WAN,SAN's
- FTTX
- Industrial control systems

**Features and Benefits**

- Adaptable to 19" or 23" standard racks
- Easy access from front or back
- Effective slack management
- Adapter strips or modules accommodated
- Improved round-edge plastic fiber saddles for easier patch cord routing and organization



**Description**

Wirewerks' rack mount panels are fabricated from sheet steel and finished in a light textured black powder coat finish. These panels are compatible with standard 19" and 23" equipment racks and are designed to accept Wirewerks adapter strips and splice trays or distribution modules. Face plates incorporate contrasting color identification labeling. All of the panels include fiber management

features for slack management of incoming cables and patch cords. The 1U panels accommodate 3 strips or modules (up to 72 fibers); the 2 U panels accommodate 6 strips or panels (up to 144 fibers) and the 4U panels accommodate 12 strips or modules (up to 288 fibers).

\*Note: All of our panels come with complete installation instructions.

Ordering Information

Panels

Description	Part Number
1U Enclosed Rack Mount Patch Panel Housing	PP-W1U1
2U Enclosed Rack Mount Patch Panel Housing	PP-W2U1
4U Enclosed Rack Mount Patch Panel Housing	PP-W4U1

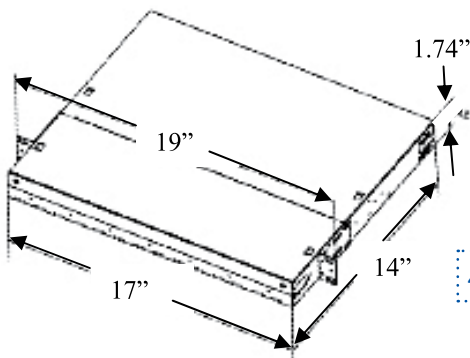
Accessories

Description	Part Number
Splice Tray	SP-WS12A

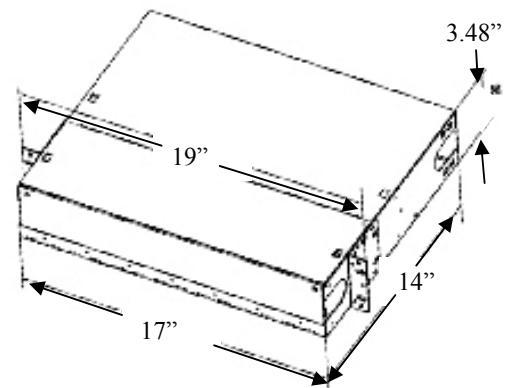
Note: Wirewerks panels are shipped complete with the following accessories: self stick connection labels, laser caution labels, mounting screws and washers, cable ties, slack management brackets and splice tray spacer.

Specifications

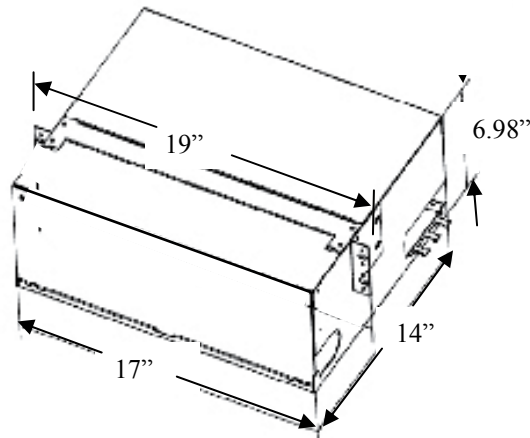
1U Wirewerks Patch Panel



2U Wirewerks Patch Panel



4U Wirewerks Patch Panel



5

Panel Type	Dimensions	Rack Size	Weight	#Strip/Modules	# fibers*
1U	17X14X1.74	19" & 23"	13 lbs	3	72
2U	17X14X3.47	19" & 23"	16 lbs	6	144
4U	17X14X6.97	19" & 23"	21 lbs	12	288

\* dependent on strip or module type